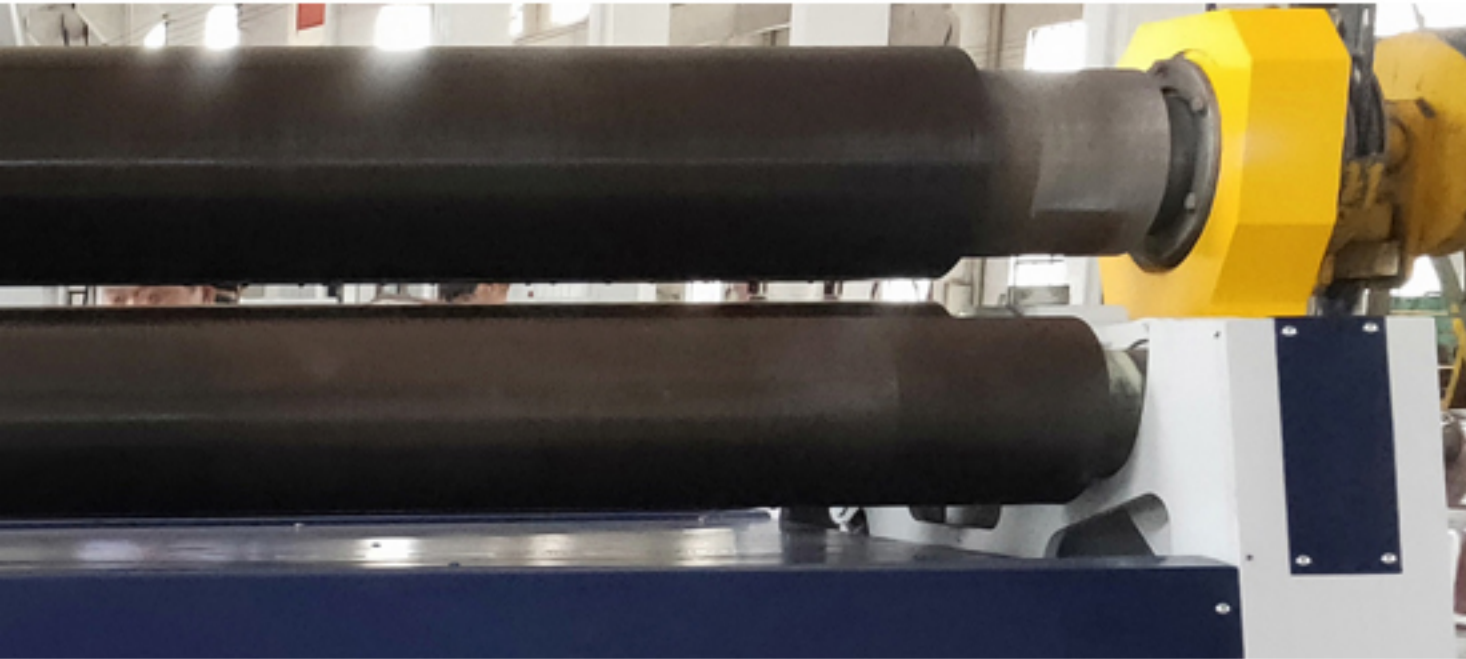


PRODUCT DETAILS



1

42CrMo material Hardened rolls

The top roller is designed as drum shape. Support roller install in the lower of bottom roller to help bending a perfect cylinder from thin to thick plate.

2

Hydraulic system

Bosch – Rexroth
made in Germany



3

Release device

It's easy for release the finished workpiece



4

Hydraulic element

Hydraulic element selects the import high quality products, guarantee the stability of the hydraulic system.



5

Automatic loading device

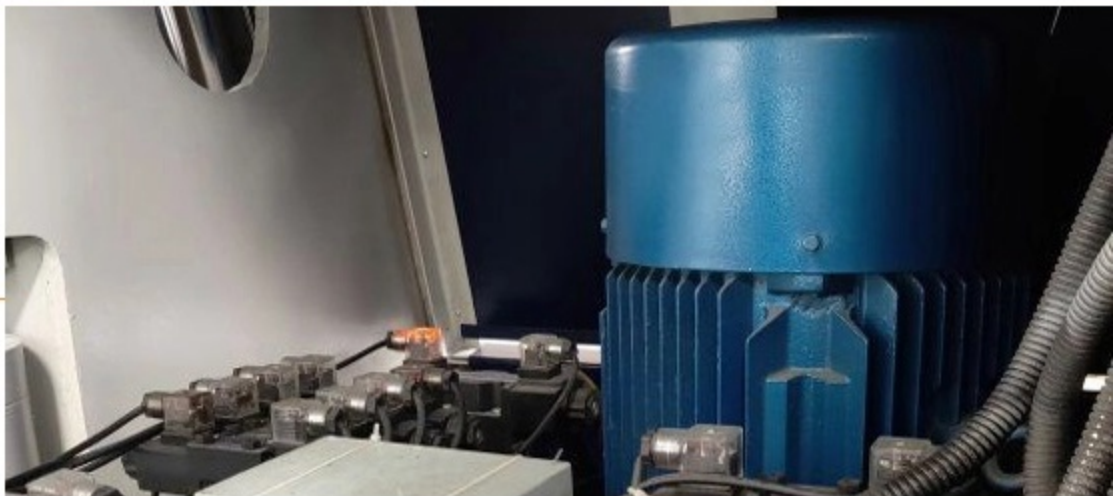
CNC hydraulic driven automatic loading device when finish to roll



6

Main power

Siemens Electrical
made in Germany





7

Main motor

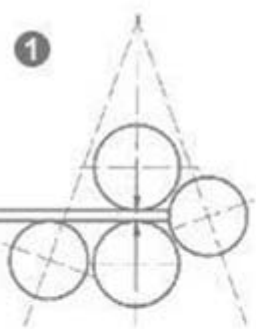
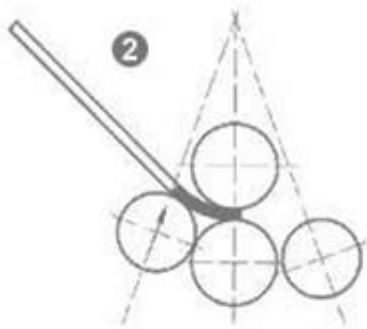
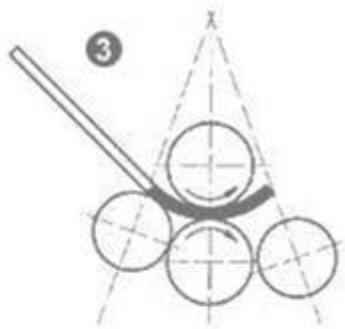
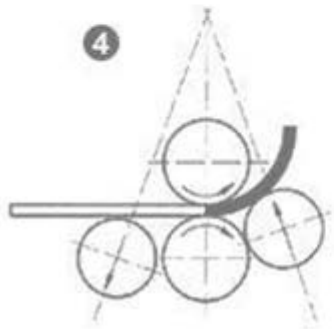
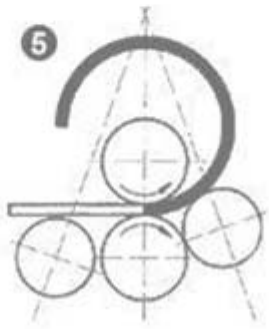
Main electronic: elements:
Siemens made in Germany.

8

PLC control system

PLC control system ensure the machine's bottom and lateral rolls operate synchronously. Up to eight steps can be programmed with the touchscreen.



1**2****3****4****5****6**